

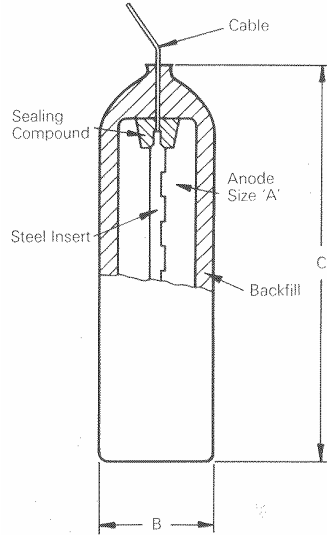


CORROSION CONTROL

# Technical Datasheet

## PRE-PACKAGED MAGNESIUM ANODE

7.7 KG HIGH POTENTIAL



Anode Size - A				Packaged Dimensions		Gross Weight
Weight		Nominal Dimensions		B	C	
lbs	kg	Dia. (mm)	Length (mm)	mm	mm	kg
17	7.7	120	430	190	610	20.5

### CHEMICAL COMPOSITION

Manganese	0.5 - 1.30 %
Aluminium	0.01 % max
Copper	0.02 % max
Iron	0.03 % max
Nickel	0.001 % max
Total any other single impurity	0.05 % max
Total of all other impurities	0.30 % max
Magnesium	Remainder

### ELECTROCHEMICAL PROPERTIES

Open Circuit Potential	-1.7 Volts
Closed Circuit Potential	-1.58 to -1.62 V
Capacity	1100 Amp.hour/kg
Efficiency	50 % minimum

Standard Backfill Composition:

- Powdered Gypsum 75%
- Granular Bentonite 20%
- Sodium Sulphate 5%

The anode and backfill are contained in a cotton bag.

Cable tails are supplied in lengths, cross sectional area and sheathing to suit the application.